

How to set up the Hörmann CTV 1 and CTV3 Digital Keypads

The Hörmann CTV keypads are digital external keypads that allow a user to open and close their garage door (or any device that accepts a volt free relay impulse) using a 3 – 5 digit pin number.

The CTV1 has a single relay output and can control a single device and the CTV3 has 3 relay outputs, although only 2 can be used as direct control relays with the third relay providing additional options for the Hörmann automation systems.

In this article we will focus on the direct control aspect of the devices and demonstrate setting up the units to open and close your garage door.

Both the CTV1 and CTV3 are supplied with an external keypad and an internal control unit. The external keypad comes complete with a fixed cable of 5m. This can be shortened or extended up to 20m.

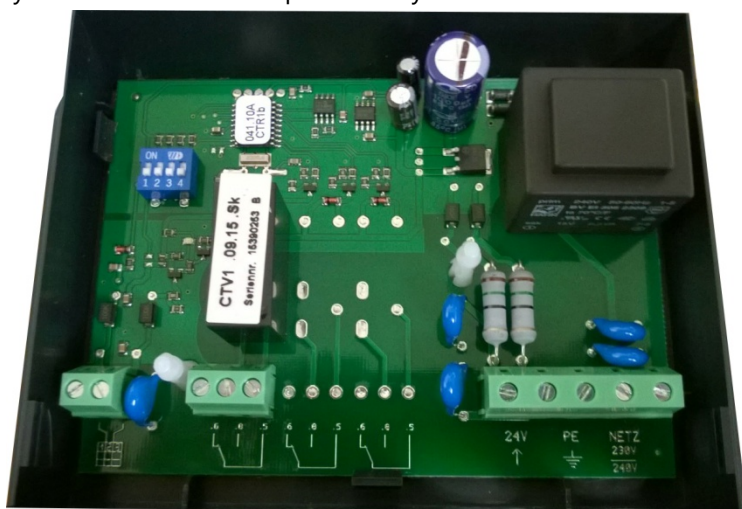
The internal control unit provides connections for a power source, the relay outputs and the connection to the keypad.

Keypad

The keypad connection has no polarity and can connect either way round. The cable must pass through from the outside of the building and the usual method would be to drill a hole through the construction to allow the cable to pass through.

CTV1

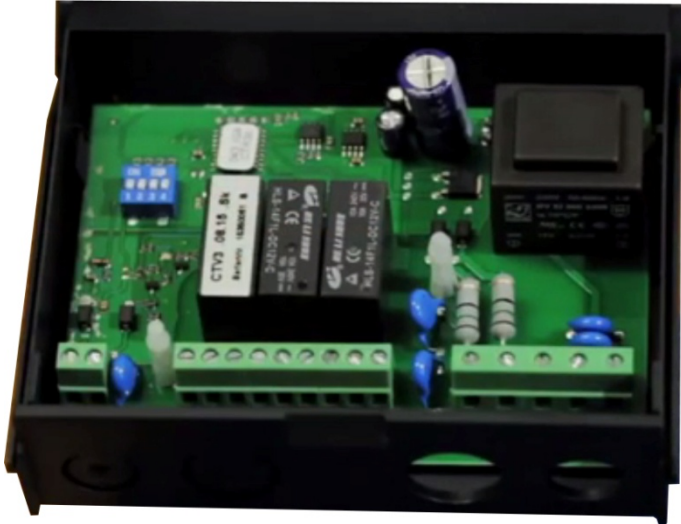
The CTV1 has a single relay output and can be used to control a single garage door automation system. The unit can be powered by either a 240v mains feed or a 24v ac or dc power source.



Connections 5 and 8 from the relay output would normally provide the open and closed relay switching connection to the automation system.

CTV3

The CTV3 has three separate relay outputs and can be used to control up to two garage door automation systems. The unit can be powered by either a 240v mains feed or a 24v ac or dc power source. Relay 1 and relay 2 are the default relays that provide the open and closed relay switching to trigger a garage door automation system. Relay 3 provides additional functions.



Connections 5 and 8 from each relay output would normally provide the open and closed relay switching connection to the automation systems.

Setting the code

To set the pin code for each relay the corresponding dip switch needs to be switched to the on position. The user can then enter a three to five digit pin number on the keypad. Each digit entry will be acknowledged with a short beep and short flash of the red indicator LED.

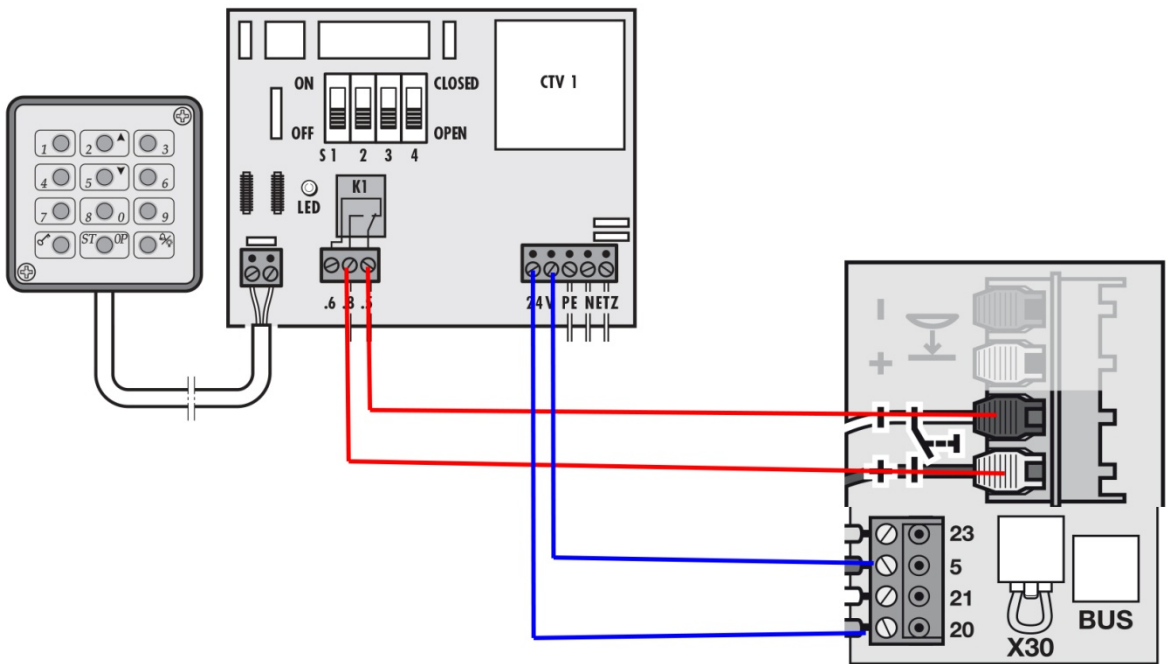
The dip switch can then be set back to the off position.

To activate the corresponding relay and operate the door the user can then enter the pin number followed by the 'key' symbol on the keypad.

Wiring Diagrams

BiSecur SupraMatic series 3

The illustration below details a typical wiring scenario with the CTV1 connected to a Hörmann BiSecur SupraMatic series 3 automatic operator.



240v Mains power supply

The illustration below details the connections for a CTV3 with a 240v mains connection and two relay outputs connected to two automation systems.

